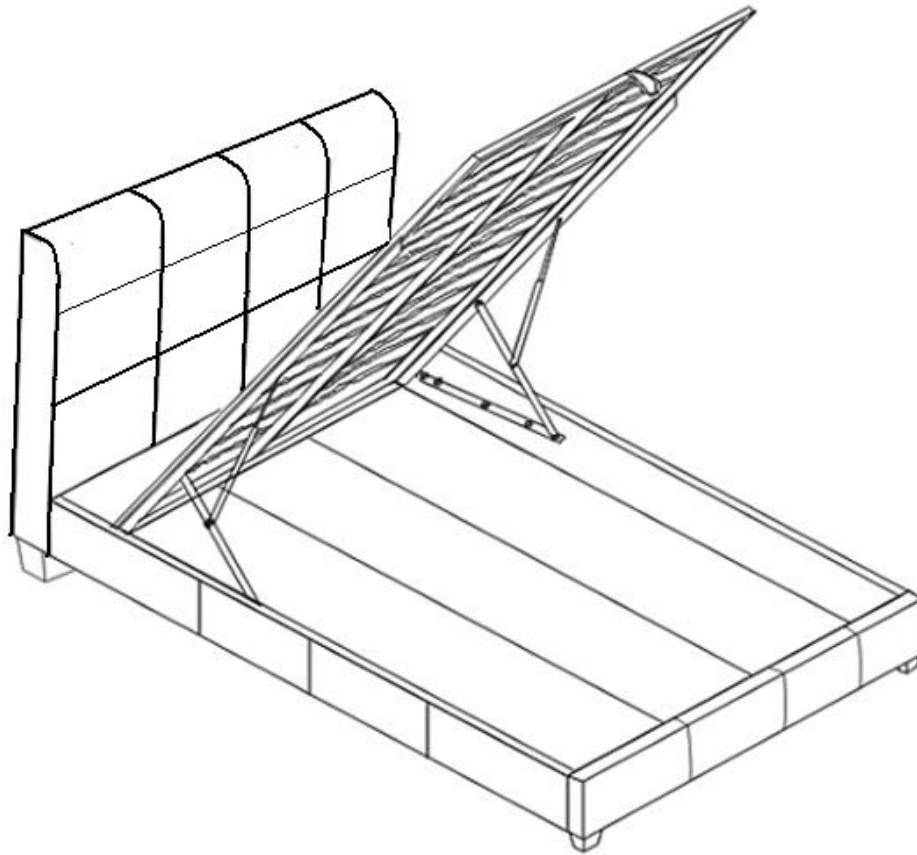


Assembly Instructions



Important

Please inspect all items carefully before assembling.






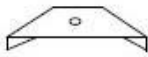
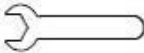







If for any reason you need to return this
Item, you must return it in its original packaging.

IMPORTANT NOTE:

- * PLACE ALL PARTS ON A CLEAN AND SMOOTH SURFACE SUCH AS A RUG OR CARPET TO AVOID THE PARTS FROM BEING SCRATCHED
- * BEFORE YOU BEGIN, PLEASE KINDLY FOLLOW THE ASSEMBLY INSTRUCTIONS STEP BY STEP
- * DO NOT TIGHTEN ALL SCREWS UNTIL THE BED IS FULLY SET-UP.

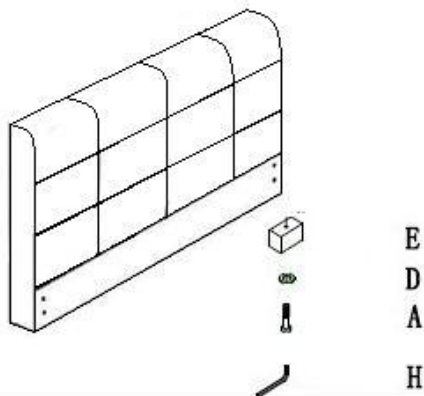
Components parts and fittings

fittings

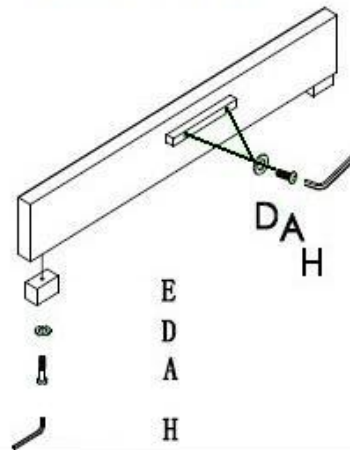
(A) 12pcs Bolt M8*45mm 	(B) 24pcs Bolt M8*30mm 	(C) 12pcs Spring Washer 	(D) 16pcs Flat Washer φ19*8 
(E) 4 pcs Leg 	(F) 2pcs Metal Plate 	(G) 1pc Spanner 	(H) 1pc Allen Key M5 
(I) 1pc Mattress Stopper 	(J) 1 pc wood support 	(K) 8pcs Screw 	(L) 2pcs Bolt M8*80mm 
(M) 12pcs Nut M8*13 	(N) 2pcs Support Leg 		

GARDER LES PETITES PIECES HORTEE DES ENANTS

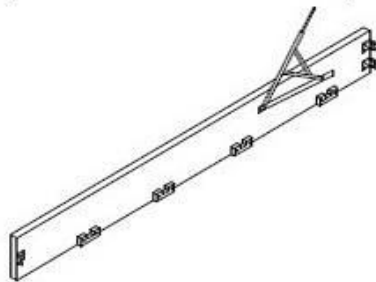
① 1 pcs headboard



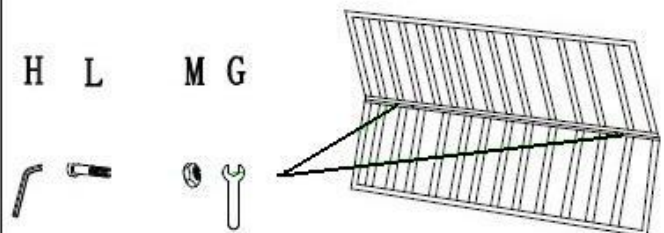
② 1 pcs footboard



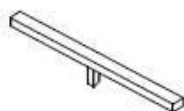
③ 2 pcs side rails with lift up mechanism



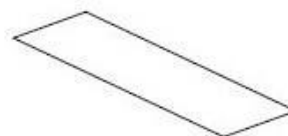
④ 1 pcs metal frame



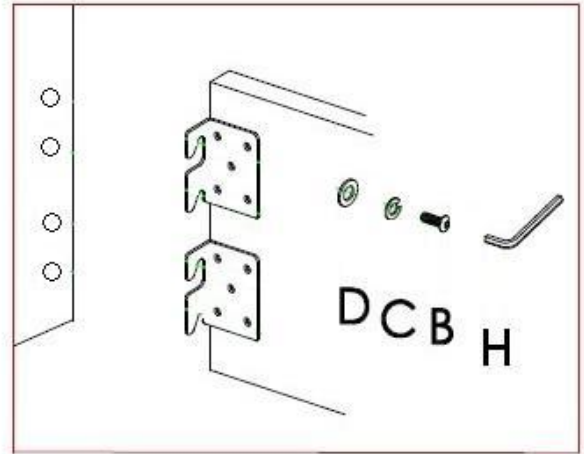
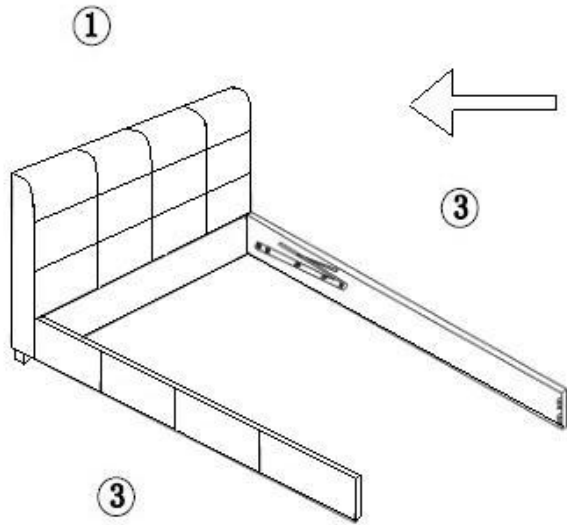
⑤ 4 pcs wooden horizontal supporters



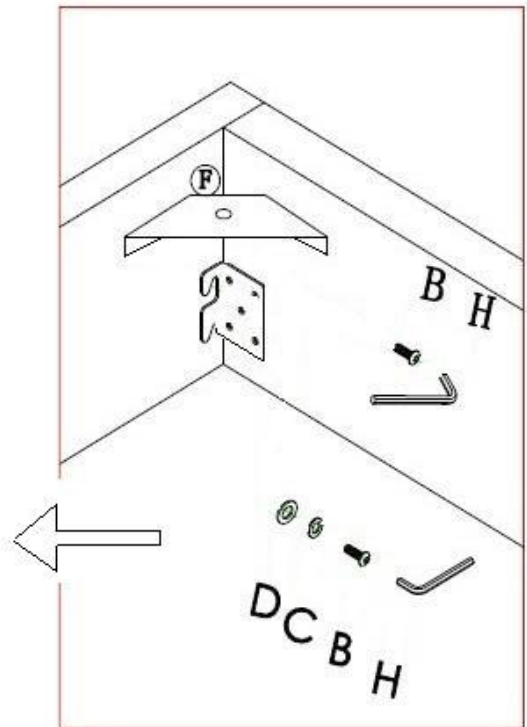
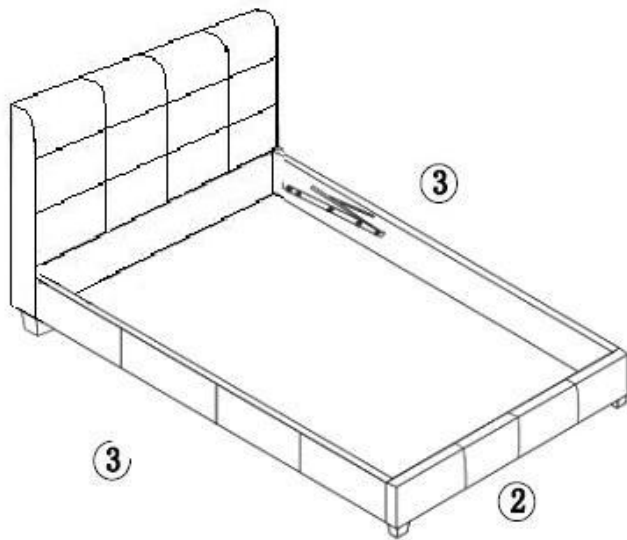
⑥ 3 pcs storage board



Step1

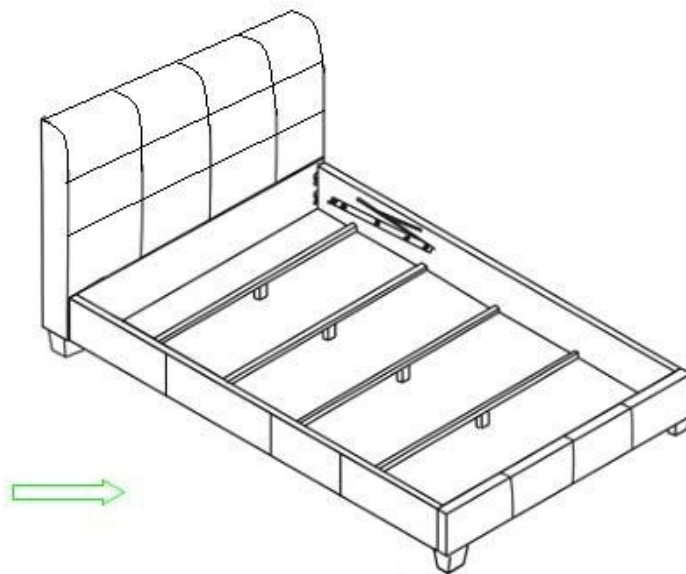
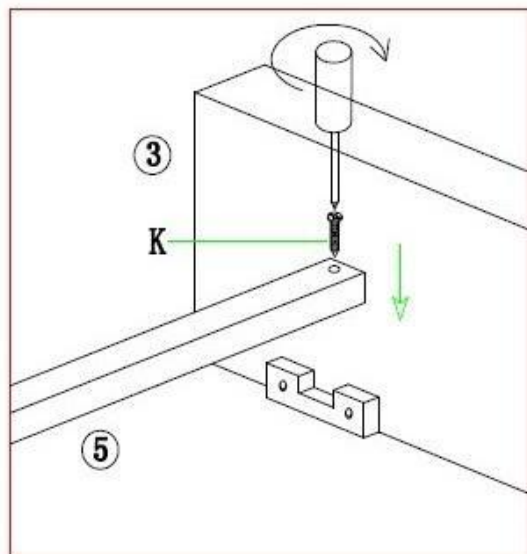


Step2



Step3

Fix the wooden horizontal supporters to the main frame

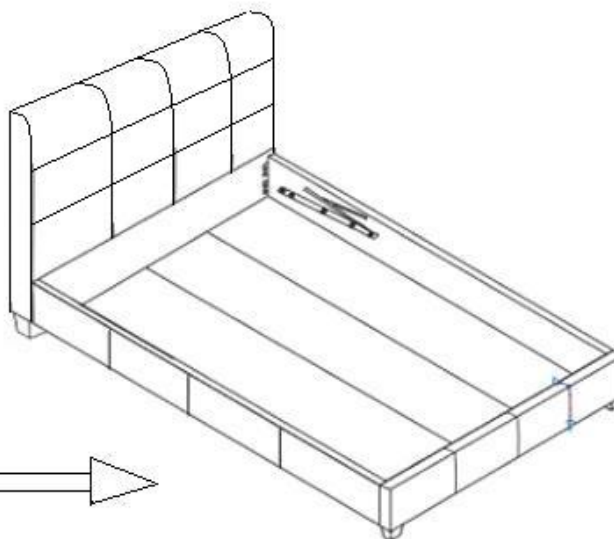
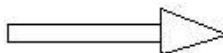
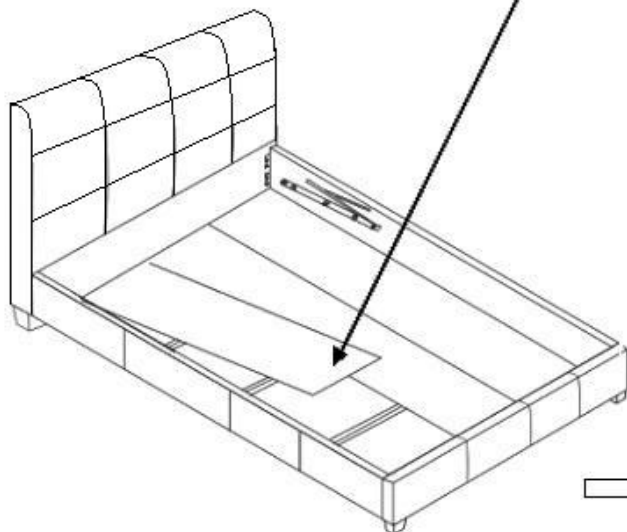


IMPORTANT: Be careful, not to scratch the leather or fabric and woven fabric when slotting the wooden horizontal supporters onto both sides of the side rails

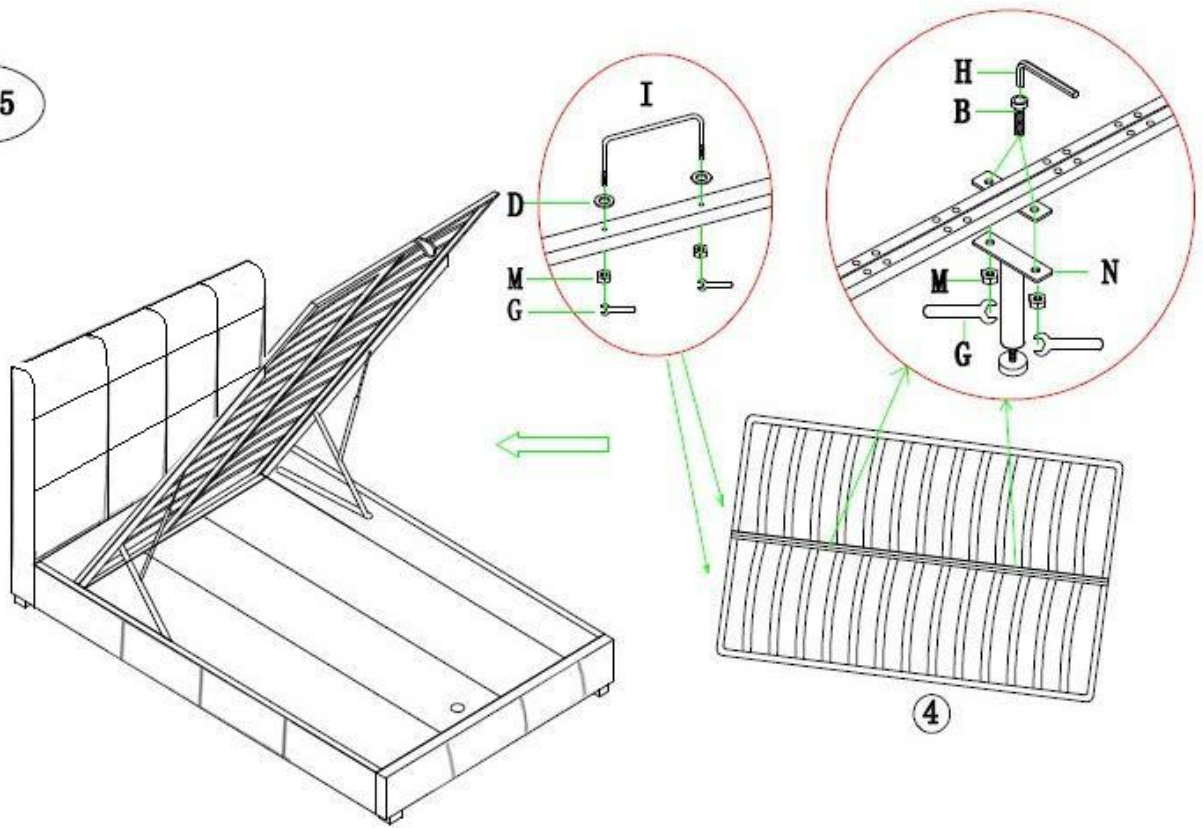
Step4

place storage base boards

6



Step5



Step6

